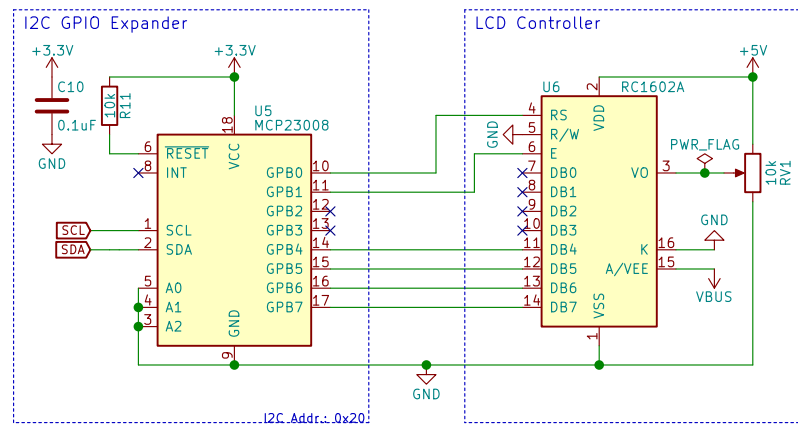


Shawn Nock <shawn@monadnock.ca>	
<b>Let's Talk Science</b>	
Sheet: /	
File: lts-protosch	
<b>Title: LTS Prototype</b>	
Size: USLetter	Date: 2018-02-06
KiCad E.D.A. kicad 4.0.7	Rev: AA
	Id: 1/3



Shawn Nock <shawn@monadnock.ca>

**Let's Talk Science**

Sheet: /LCD/

File: lcd.sch

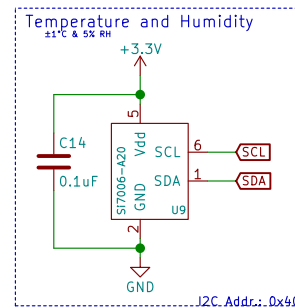
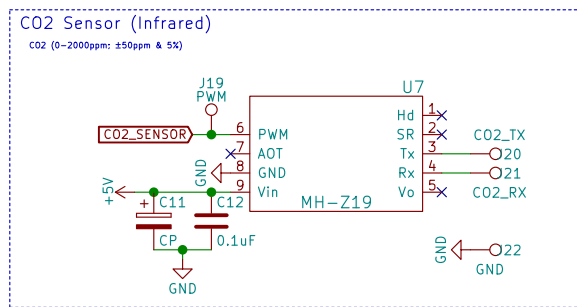
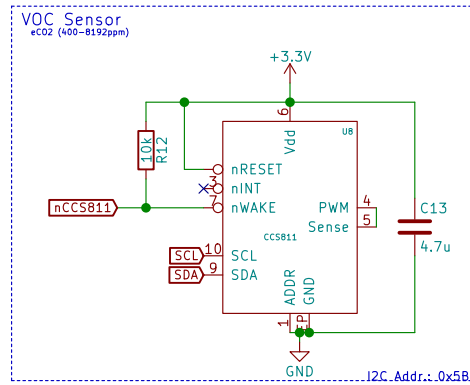
**Title: LCD Interface**

Size: USLetter Date: 2018-02-06

KiCad E.D.A. kicad 4.0.7

Rev: AA

Id: 2/3



Shawn Nock <shawn@monadnock.ca>

Let's Talk Science

Sheet: /Sensors/

File: sensors.sch

**Title: Sensors**

Size: USLetter Date: 2018-02-06

KiCad E.D.A. kicad 4.0.7

Rev: AA

Id: 3/3