

Shawn Nock <shawn@monadnock.ca>

Let's Talk Science

Sheet: /

File: lts-prot.sch

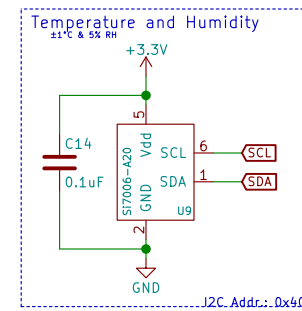
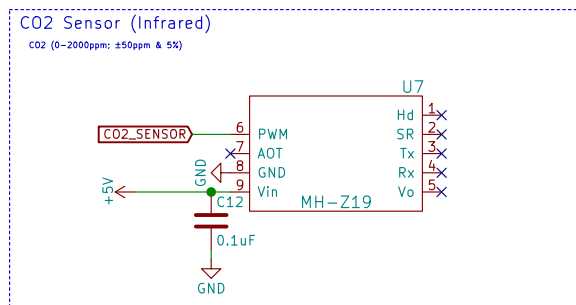
Title: LTS Prototype

Size: USLetter Date: 2018-03-11

KiCad E.D.A. kicad 4.0.7

Rev: AB

Id: 1/2



Shawn Nock <shawn@monadnock.ca>

**Let's Talk Science**

Sheet: /Sensors/

File: sensors.sch

**Title: Sensors**

Size: USLetter | Date: 2018-03-11

KiCad E.D.A. kicad 4.0.7

**Rev: AB**

Id: 2/2