

Shawn Nock <shawn@monadnock.ca>

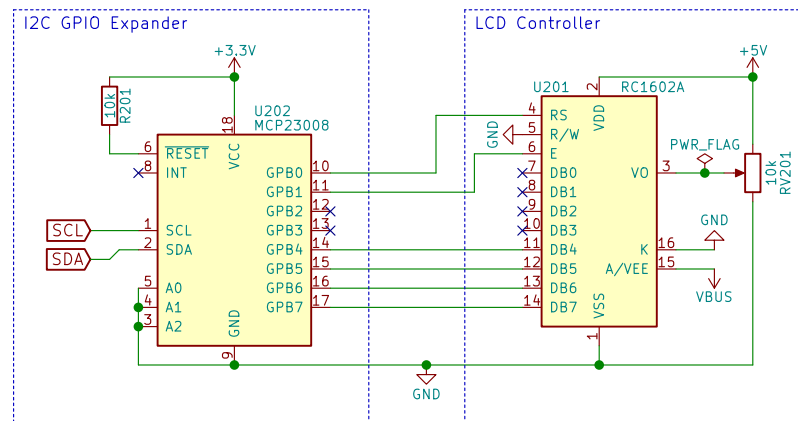
Let's Talk Science

Sheet: /
File: lts-proto.sch

Title: LTS Prototype

Size: USLetter | Date: 2018-02-06
KiCad E.D.A. kicad 4.0.7

Rev: AA
Id: 1/3



Shawn Nock <shawn@monadnock.ca>

Let's Talk Science

Sheet: /LCD/

File: lcd.sch

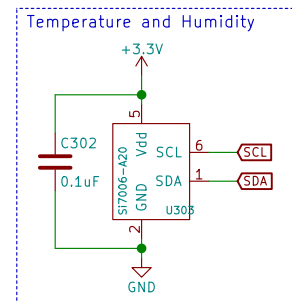
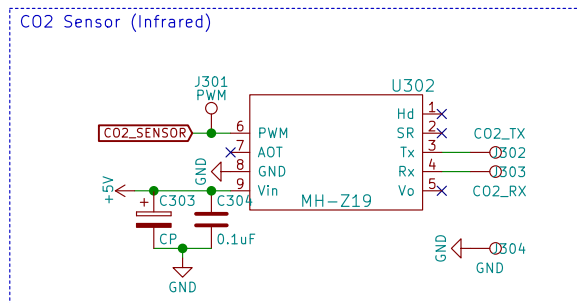
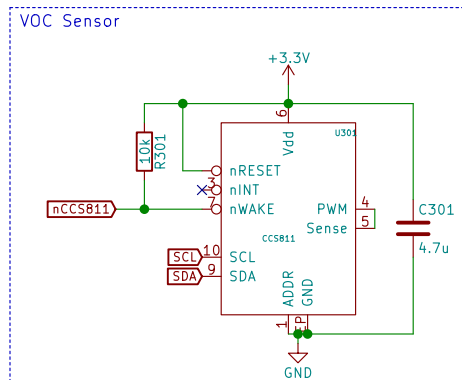
Title: LCD Interface

Size: USLetter Date: 2018-02-06

KiCad E.D.A. kicad 4.0.7

Rev: AA

Id: 2/3



Shawn Nock <shawn@monadnock.ca>

Let's Talk Science

Sheet: /Sensors/

File: sensors.sch

Title: Sensors

Size: USLetter Date: 2018-02-06

KiCad E.D.A. kicad 4.0.7

Rev: AA

Id: 3/3