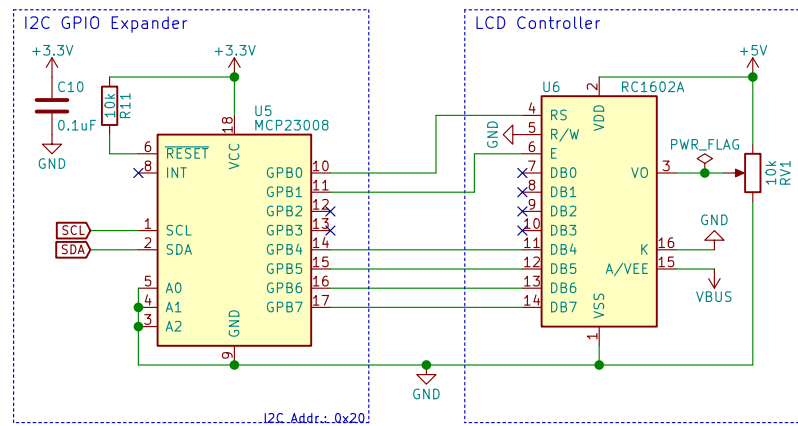


Shawn Nock <shawn@monadnock.ca>	
Let's Talk Science	
Sheet: /	
File: lts-protosch	
Title: LTS Prototype	
Size: USLetter	Date: 2018-02-06
KiCad E.D.A. kicad 4.0.7	Rev: AA
	Id: 1/3



Shawn Nock <shawn@monadnock.ca>

Let's Talk Science

Sheet: /LCD/

File: lcd.sch

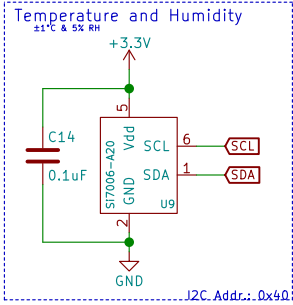
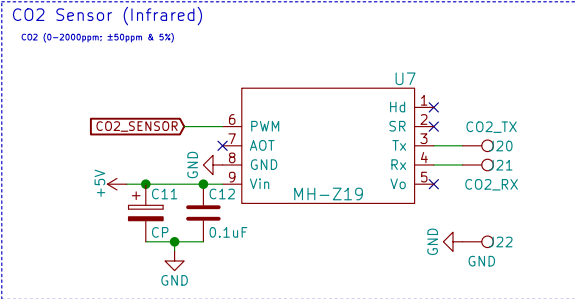
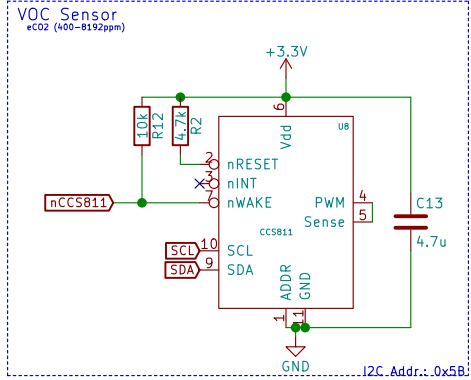
Title: LCD Interface

Size: USLetter Date: 2018-02-06

KiCad E.D.A. kicad 4.0.7

Rev: AA

Id: 2/3



Shawn Nock <shawn@monadnock.ca>

Let's Talk Science

Sheet: /Sensors/

File: sensors.sch

Title: Sensors

Size: USLetter Date: 2018-02-06

KiCad E.D.A. kicad 4.0.7

Rev: AA

Id: 3/3