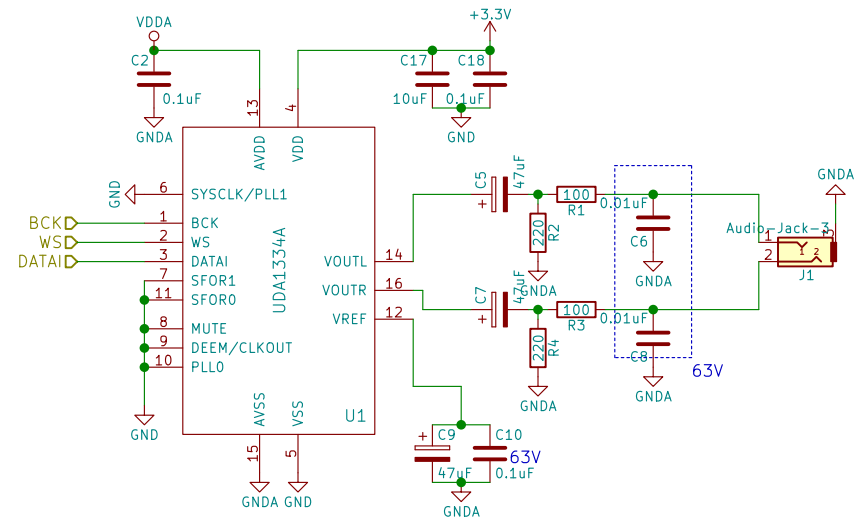
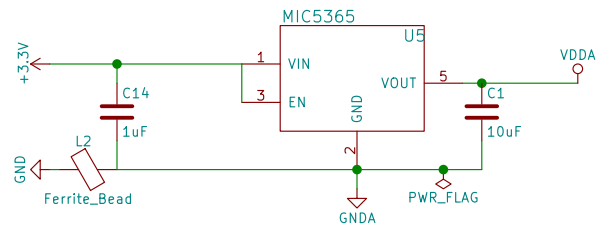


Monadnock Systems	
Sheet: /	
File: ec-rpi-vid-prop.sch	
Title: Video Prop Board	
Size: USLetter	Date: 2018-03-09
KiCad E.D.A. kicad 4.0.7	Rev: AA
	Id: 1/2



Monadnock Systems

Sheet: /Audio Section/
File: audio.sch

Title: Video Prop Board

Size: USLetter Date: 2018-03-09
KiCad E.D.A. kicad 4.0.7

Rev: AA
Id: 2/2